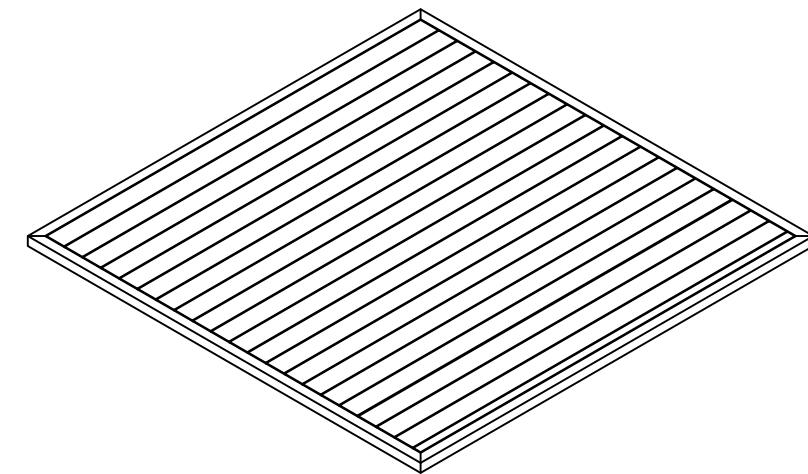


ARTISTIC REPRESENTATION

Scale 1:5

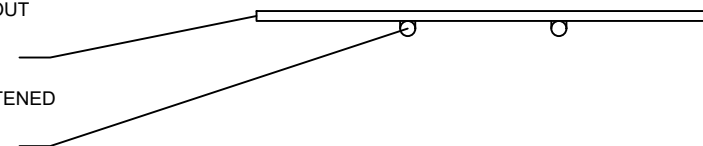


SPA SLIDING COVER ARTISTIC REPRESENTATION

Scale 1:5

SPA COVER TO BE CONSTRUCTED OUT
OF DECKING MATERIAL

STEEL ROLLER WHEELS TO BE FASTENED
TO FRAME OF COVER



SPA SLIDING COVER SIDE VIEW

Scale 1:5

ARCHITECT'S SIGNATURE _____

OWNER'S SIGNATURE _____

ENGINEER'S SIGNATURE _____

General notes

The design on this drawing is copyright and remains the property of the architect.
All work to conform to SANS 10400 National Building regulations (2011) and to local authority requirements.
All relevant levels, dimensions and details to be checked on site before commencing any work. Report any discrepancies to the architect immediately. Do not scale.

Structural notes

All structural work to structural engineer's detail and specification.
Soil below foundations and backfill below concrete surface beds to be well compacted.

Waterproofing notes

USB green waterproofing membrane to all concrete surface beds.
DPC to base of all external walls and to windowills.
Flexible waterproofing to all flat roof slabs, parapets etc.
Flexible waterproofing under floor finish of any room containing sanitary fixtures, as well as to the floor and walls of any shower.

Drainage and plumbing notes

All soil- and waste pipes to be accessible along their entire length.
IE's to all bends and junctions of waste- and soil pipes, CE's every 25m max.
65mm reset traps to all waste fittings.

Thermal insulation notes

All hot water pipes to be lagged to comply with SANS 10252.1
Geysers to be insulated: insulation R-value 2.0

Environmental sustainability and energy usage

All work to comply with SANS 10400-X and SANS 10400-XA
Fenestration: SANS 613
Solar Geysers: SANS 1307
Floors: SANS 10400-1
Walls: SANS 10400-K
Roofs: SANS 10400-L
Glazing: SANS 10400-N
Lighting and ventilation: SANS 10400-O
Space heating: SANS 10400-V

REVISIONS		
R	DATE	DESCRIPTION
1	2020-11-23	FOR APPROVAL
2	2020-11-24	SPA DECK AND STAIRS ADDED



PROJECT TITLE

COMPOSITE DECKING
DETAILS

STANDARD DETAILS			
DRAWN BY:		J.K. JORDAAN	
APPROVED BY:		MR. G FISHER	
DATE DRAWN:		2020-11-23	
SIZE	SCALE	PROJECT No.	REVISION
A3	SHOWN	17/20	
DRAWING No.			
200		B	