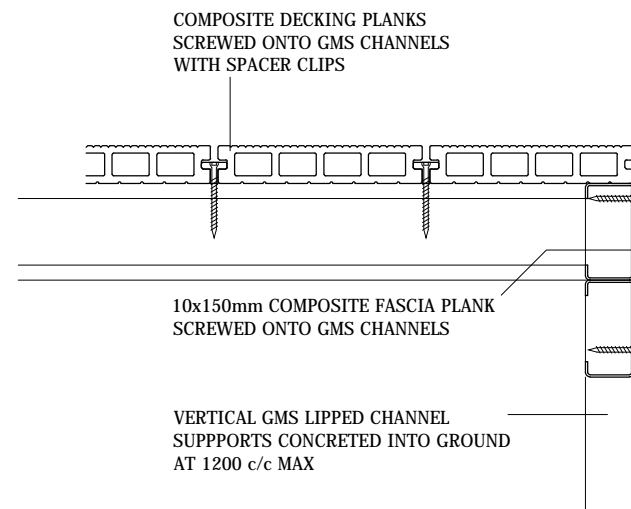


Option 1



Option 2

TYPICAL DECKING EDGE DETAILS

Scale 1:5