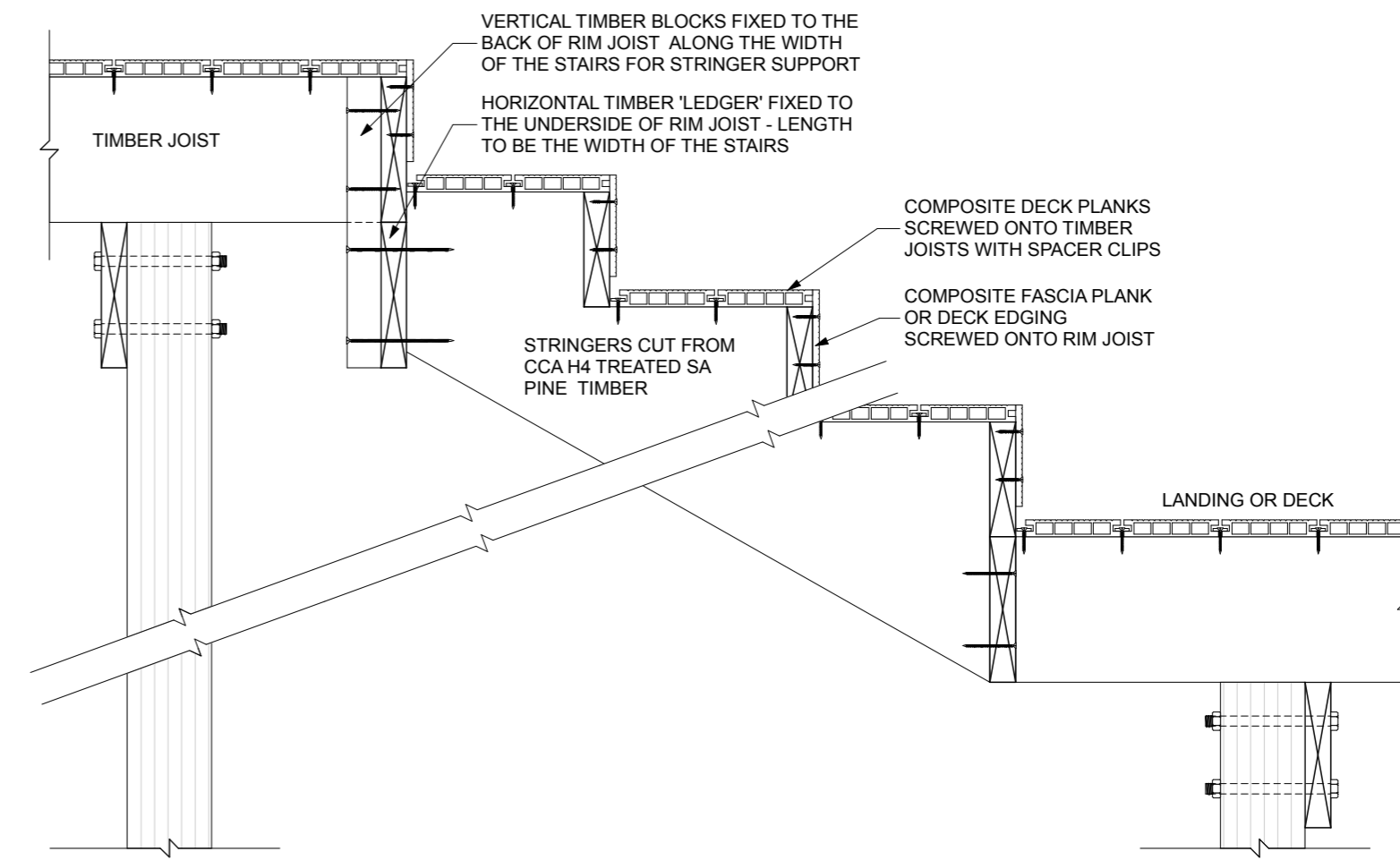
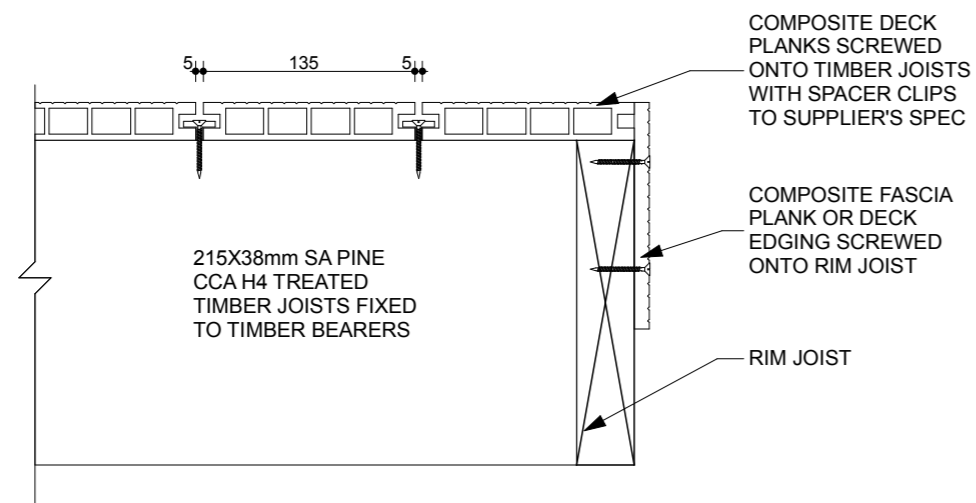


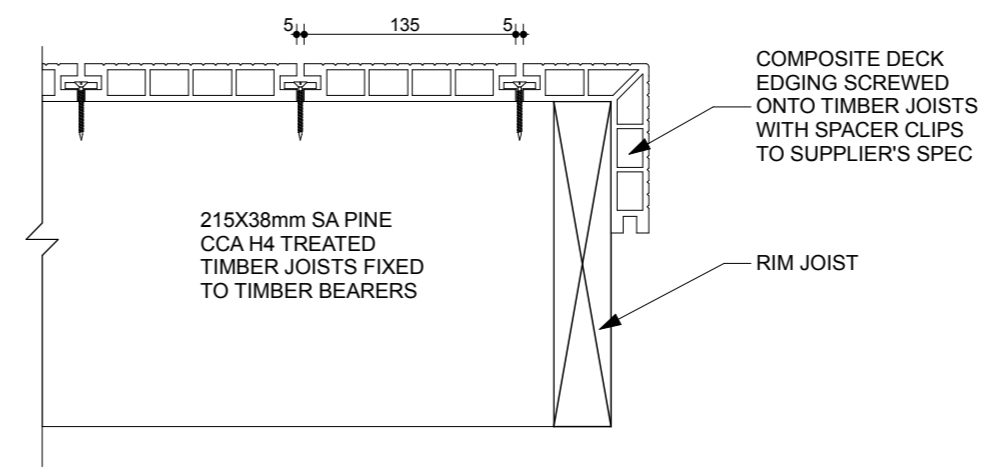
**TYPICAL TIMBER DECK DETAIL**  
SCALE 1:5



**TYPICAL STAIR DETAIL**  
SCALE 1:10



**TYPICAL DECKING EDGE DETAIL (Option 1)**  
SCALE 1:5



**TYPICAL DECKING EDGE DETAIL (Option 2)**  
SCALE 1:5

PROJECT NAME:	NEW TIMBER DECKING FOR UMHLANGA ARCHES LEVEL 3			A2 PM
ERF No. & TOWNSHIP		DRAWING TITLE:	TIMBER DECK DETAILS	
STREET ADDRESS		DRAWING NUMBER:	SM001-SK-02-D	