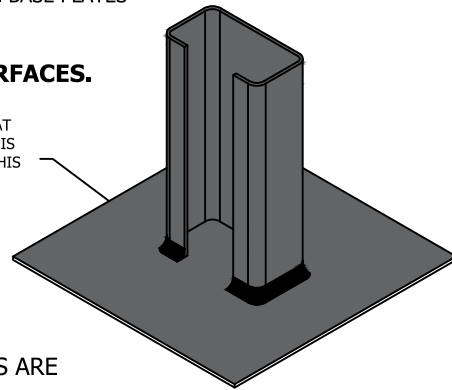


1 ASSEMBLING YOUR STRUCTURE FOOTING TO SUPPORT YOUR BEAMS

1. STEEL BASE PLATES ARE REQUIRED TO START THIS DECKING INSTALLATION. BASE PLATES VARY IN SIZE AS THE HEIGHT OF THE DECK INCREASES.

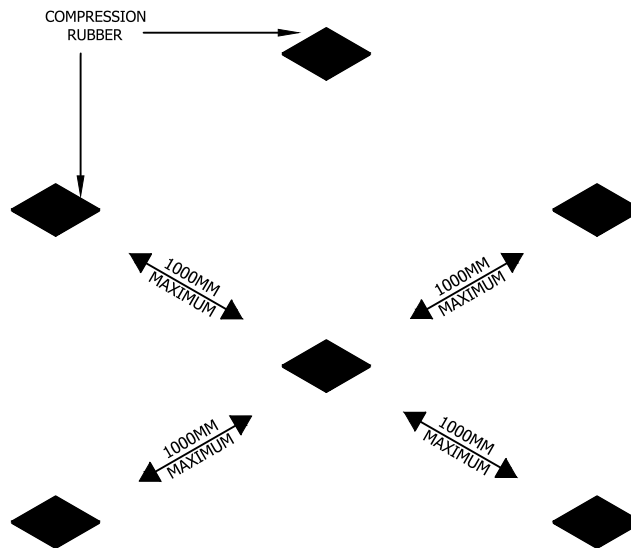
NOTE: BEST DECK DOES NOT DRILL INTO WATERPROOF SURFACES.

ENSURE THAT YOUR WELD IS SECURE AT THIS POINT.



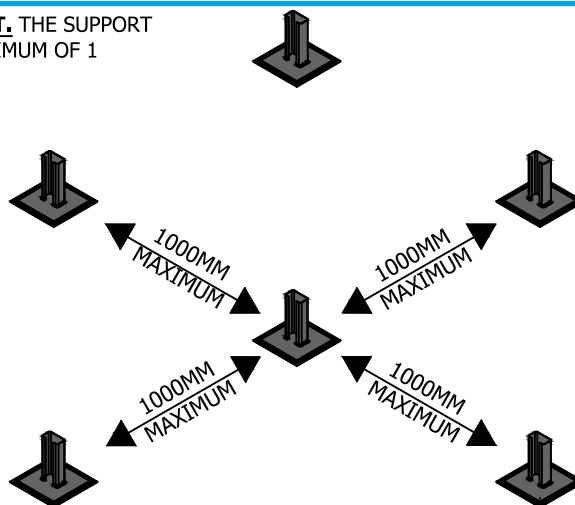
WELDING C-CHANNEL TO BASE PLATE. ENSURE THAT YOUR WELDS ARE SECURE AND A RUST PRIMER IS TO BE APPLIED TO ALL WELDS.

2 LAYOUT FOR COMPRESSION RUBBER.



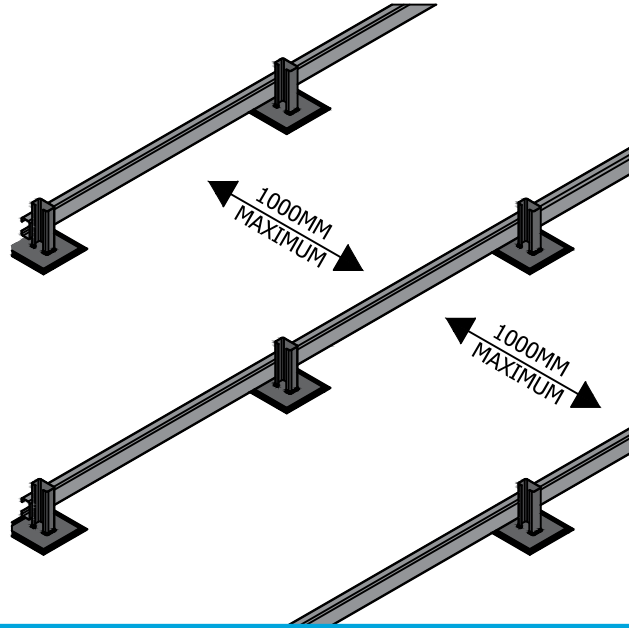
COMPRESSION RUBBER LAYOUT. LAY AND BOND YOUR 6mm COMPRESSION RUBBER USING A WATERPROOF ADHESIVE WHERE THE BASE PLATES WILL BE SITUATED. ENSURE COMPRESSION RUBBER EXCEEDS BASE PLATES SIZE BY AT LEAST 25mm ALL THE WAY AROUND. ONCE THE DECK STRUCTURE AND PLANKS HAVE BEEN FITTED, EVERYTHING WILL STAY IN PLACE UNDER ITS OWN WEIGHT.

3 VERTICAL FOOTINGS FOR GRID LAYOUT. THE SUPPORT FOOTINGS MUST BE SPACED OUT AT A MAXIMUM OF 1 METER APART AS SHOWN IN THE DIAGRAM.



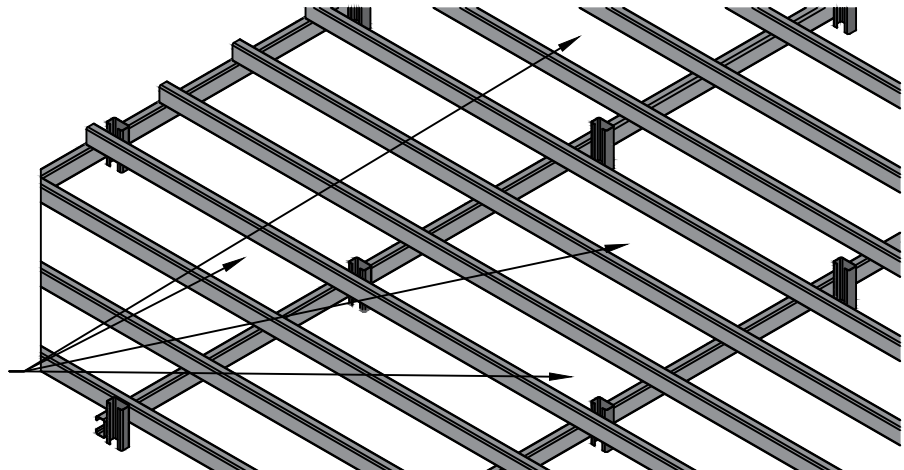
DECK INSTALLATION INSTRUCTIONS : WATERPROOF CONCRETE SURFACE APPLICATION

- 4 WELDING BEARER SUPPORTS.** WELD LIPPED CHANNEL BEAMS TO THE VERTICAL FOOTINGS AT A DISTANCE SPECIFIED (NOT WIDER THAN 1m APART), THESE BEARERS WILL BE THE SUPPORT FOR THE JOISTING TO CREATE THE GRID TO WHICH THE DECK PLANKS WILL BE FITTED.



- 5 BUILDING THE SUPPORT JOIST GRID.** RUNNING IN THE OPPOSITE DIRECTION TO YOUR SUPPORT BEARERS, ONE ADDS THE JOISTS. IMPORTANTLY, ON A RESIDENTIAL INSTALLATION, 350mm SPACING BETWEEN JOISTS AND ON A COMMERCIAL INSTALLATION, 300mm SPACING BETWEEN JOISTS. THE JOISTS ARE ALSO THE LIGHTWEIGHT C-CHANNEL, SUPPLIED BY BEST DECK. ENSURE ALL WELDS ARE SECURE AND PRIMED.

JOIST SPACING 300mm COMMERCIAL
350mm RESIDENTIAL.



- 6 LAY YOUR DECKING PLANKS** TO YOUR SECURE, RIGID JOISTS USING THE SUPPLIED BEST DECK CLIP AND SCREW.

