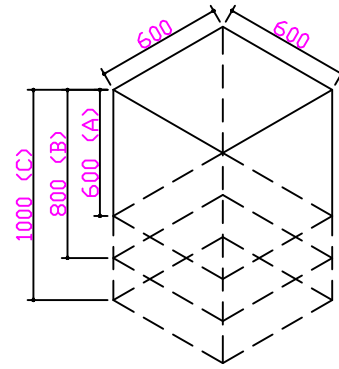


INSTALLATION INSTRUCTIONS : WEAVED AND STEEL PERGOLA

1 DETERMINE FIXING APPLICATION AND LAYOUT

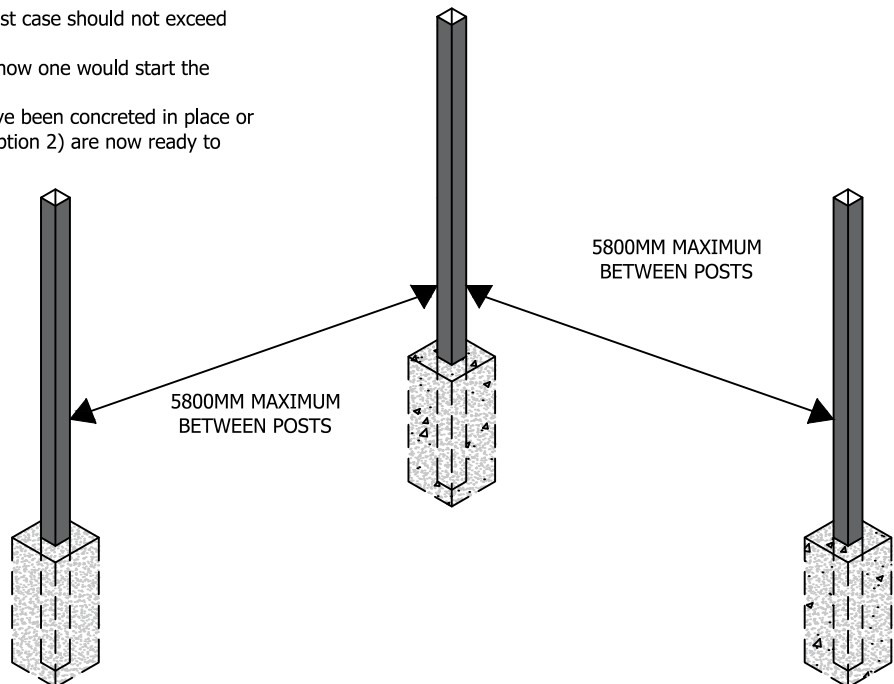
- Subject to this specific installation requirements, there generally are 2 fixing scenarios.
1. Either the pergola Ring Beam will require vertical support footings to structurally secure it which would be secured into place with concrete.
 2. Or the pergola Ring Beam would sit between/against walls where the ring beam will be fixed directly to these facades.

This is Relevant to Option 1. The Diagram to the right shows the basic requirements for the hole used to support the vertical footings into the ground. The Depth of the hole must increase for additional support as the height of the pergola increases.



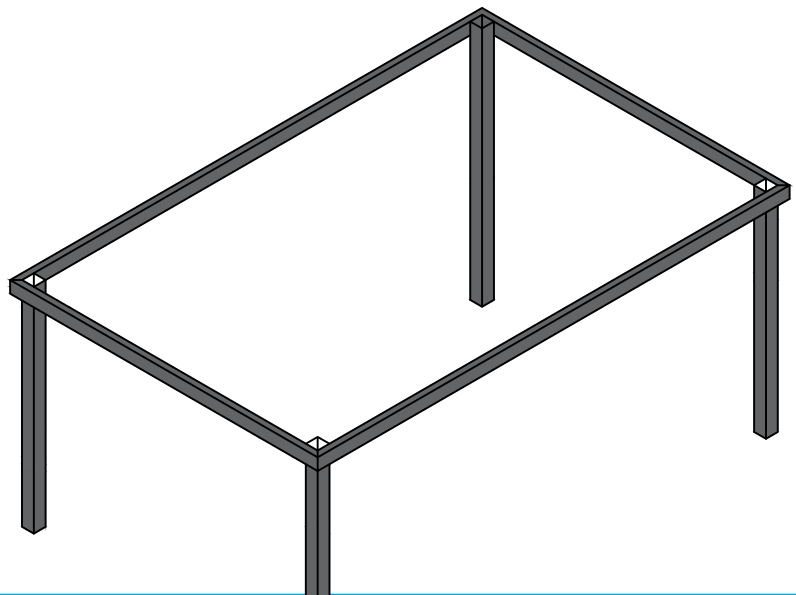
2 GENERAL INSTALLATION LAYOUT

- Each pergola is different and for the most case should not exceed the span 5.8m (Not always the case)
- The diagram below illustrates basically how one would start the process.
- Your vertical support footings which have been concreted in place or screwed through the steel to facades Option 2) are now ready to receive the steel ring beam.



3 RAISING AND SECURING THE RING BEAM INTO POSITION

- The Ring Beam of the Pergola is constructed from either 100x100mm Square tube or 100x50mm Rectangle Tube (Wall thickness subject to span of material, This can change).
- The Ring Beam is secured to the vertical footings by welding them together.
- One now has a frame work to which the support bearer beams can be inserted and secured.



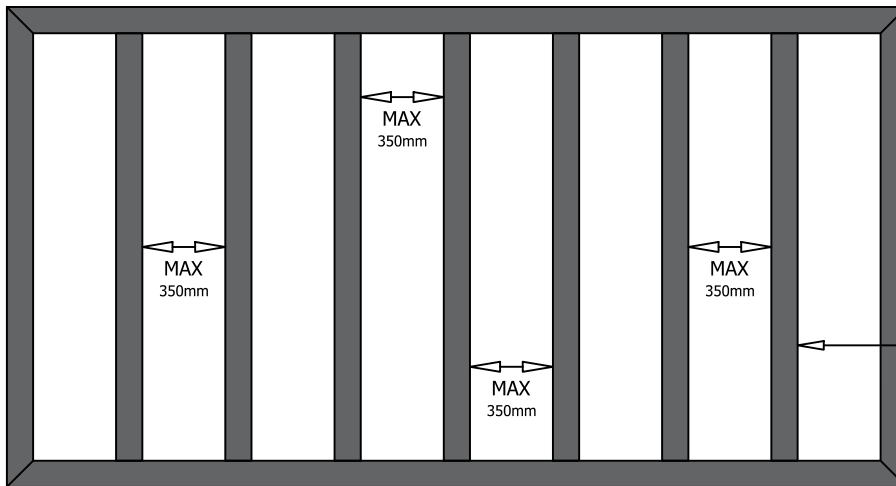
INSTALLATION INSTRUCTIONS : WEAVED AND STEEL PERGOLA

4 INSERTING BEARER SUPPORT JOISTS INTO THE CONSTRUCTED RING BEAM

- At a maximum span of 350mm fix and secure the support joists into the ring beam.
- The size of the steel tubing used as the support joist will differ in size, subject to the specific pergola dimensions.
- The bearer support joists will create the foundation for mounting of the fascia planks.

TOP VIEW

R I N G B E A M A N D J O I S T S U P P O R T



ENSURE THAT YOUR WELDS ARE SECURE AROUND BOTH THE VERTICAL AND HORIZONTAL JOINTS.

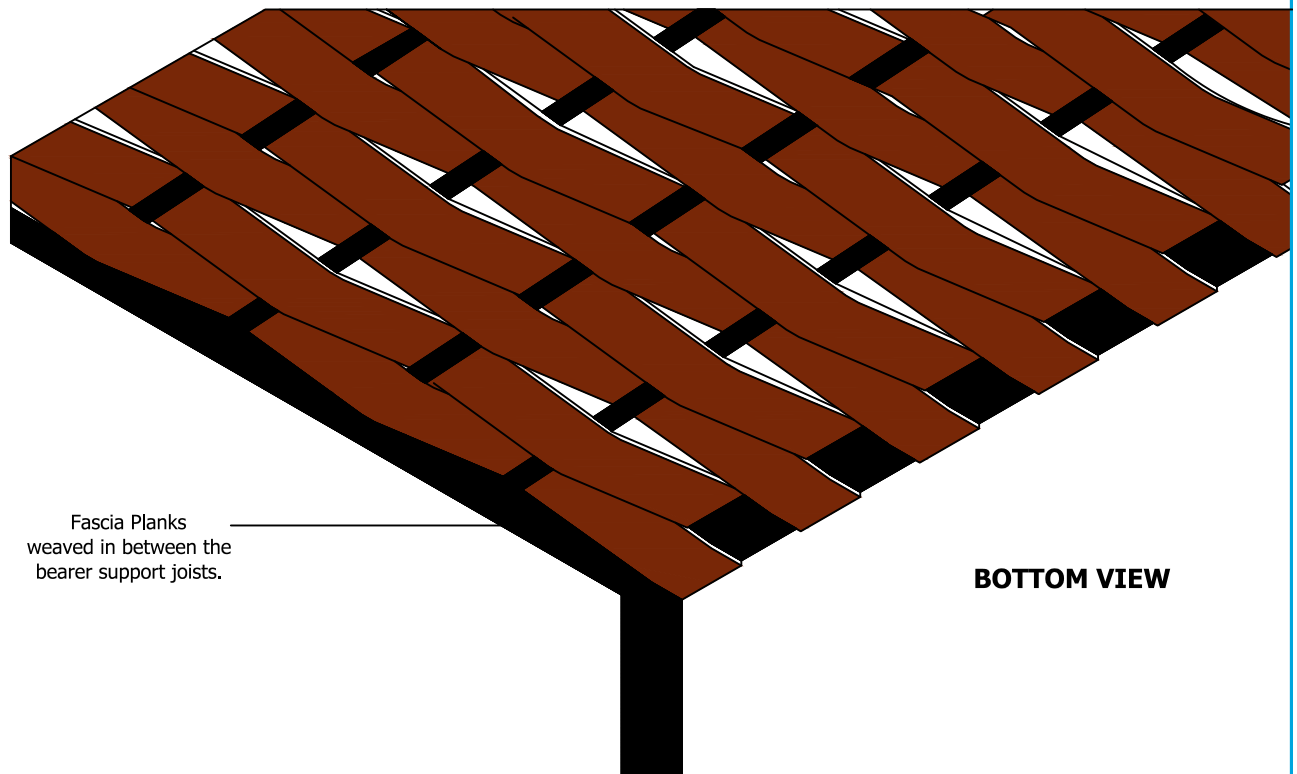
PRIMED AND PAINTED

BEARER SUPPORTS

RING BEAM

5 WEAVING THE FASCIA PLANKS TO THE CONSTRUCTED STEEL GRID WORK

- To your constructed ring beam and mounting grid, you can proceed to weave the fascia planks through the bearer support joists.



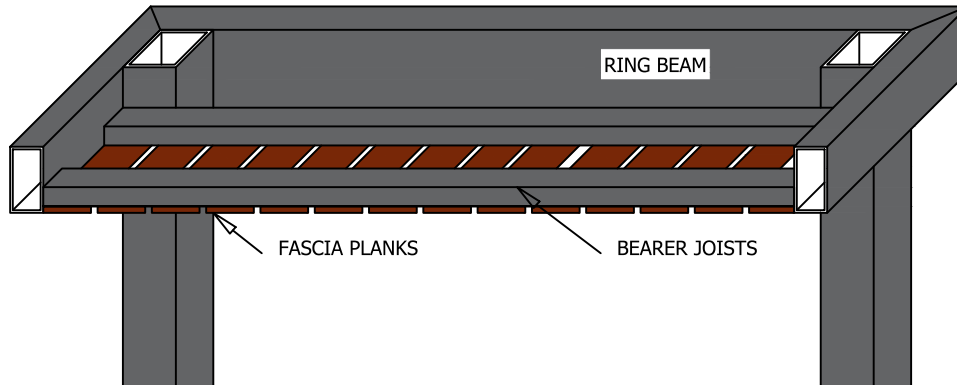
Fascia Planks
weaved in between the
bearer support joists.

BOTTOM VIEW

INSTALLATION INSTRUCTIONS : WEAVED AND STEEL PERGOLA

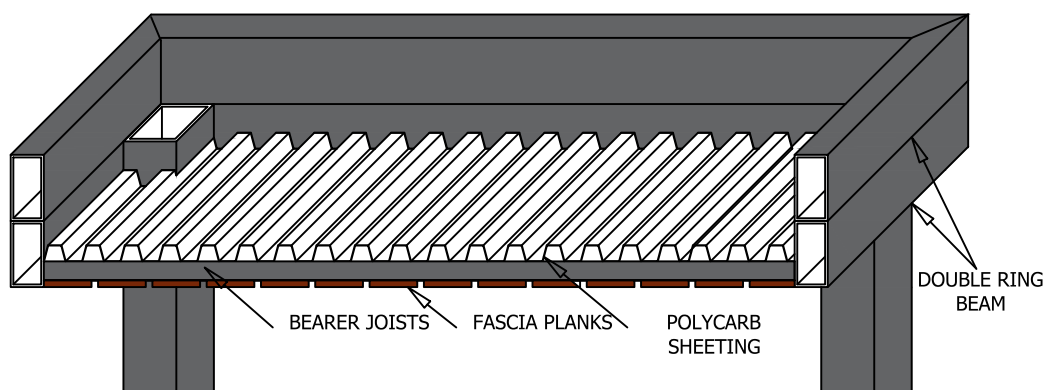
6 OPTIONAL WATERPROOF APPLICATION (Done using polycarb corrugated sheets) TOP AND FRONT VIEW.

STANDARD APPLICATION



- A standard pergola application generally refers to the ring beam being constructed from a single layer facade as per diagram shown above.
- From the front view, one can see how the fascia planks mount and finish up against the frame and bearer joists.

WATERPROOFED APPLICATION



- In a waterproofed pergola application, one would generally increase the facade from a single layer to a double layer.
- The double ring beam hides the polycarb from being visible.
- From the front view, one can see how the fascia planks mount and finish up against the frame and bearer joists.

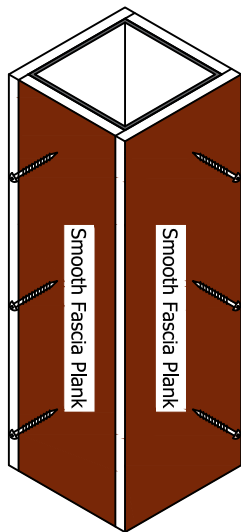
INSTALLATION INSTRUCTIONS : WEAVED AND STEEL PERGOLA

7 OPTION TO CLAD VISIBLE STEEL PROFILES

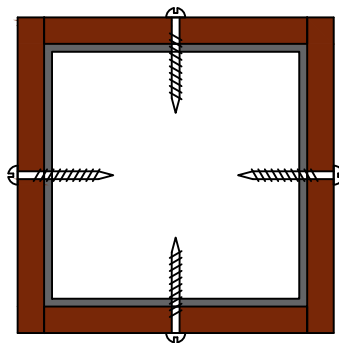
- With your pergola almost complete, one has the option either to paint the visible steel in a color of choice or to clad the visible steel using a composite fascia plank.

Using the fascia plank to clad visible steel adds an additional material cost. The finished pergola does always look smarter and rounded off with the steel clad.

Front View



Top View



100 X 100mm Vertical Steel Post clad with fascia planks

