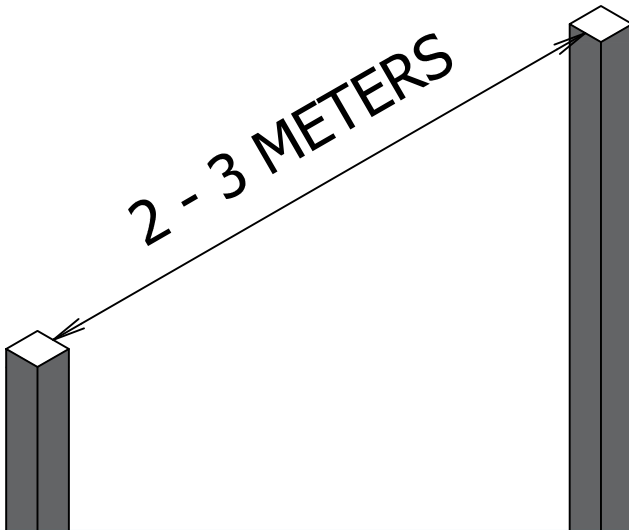


INSTALLATION INSTRUCTIONS : FASCIA SCREEN WALL

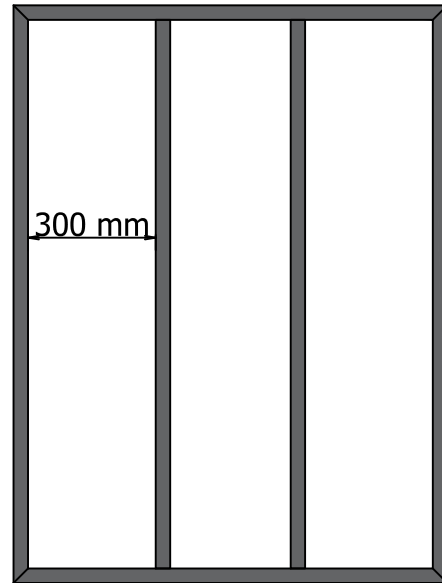
- 1 PLANTING POSTS.** MARK OUT THE AREA THAT IS TO BE ENCLOSED. THEN, EVERY 2-3 METERS AS PER SPECIFIC CONDITIONS, A STEEL POST IS TO BE SECURED. THIS CAN BE DONE BY EITHER CASTING IT WITHIN A CONCRETE BASE IF THE ENCLOSED AREA IS OVER A EARTH TYPE SURFACE OR BY WELDING THE POST TO A BASE PLATE AND FASTENING THE BASE PLATE TO A CONCRETE SURFACE BELOW.

COLUMN SIZES ARE DETERMINED ACCORDING TO HEIGHT OF ENCLOSURE.

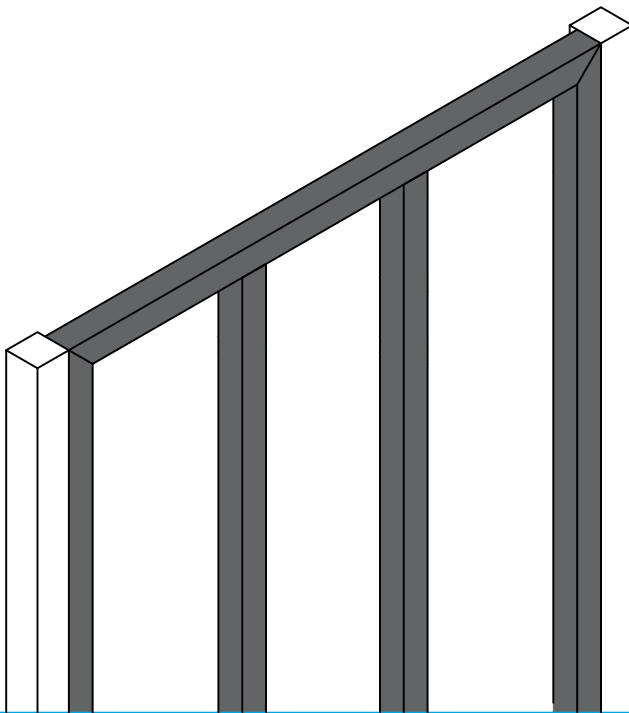
- IF ENCLOSURE IS 2.8m OR LESS, IT IS REQUIRED THAT A 50x50mm GALVANIZED STEEL COLUMN IS USED.
- IF ENCLOSURE IS HIGHER THAN 2.8m, IT IS REQUIRED THAT A 76x76mm GALVANIZED STEEL COLUMN IS USED.



- 2 CREATING STEEL SUB-FRAME.** CONSIDERING THAT THIS FRAME IS TO BE FIXED IN BETWEEN THE POSTS YOU WOULD NOW HAVE FIXED AT THEIR CORRECT HEIGHT ABOVE THE SURFACE, WELD TOGETHER YOUR GALVANIZED STEEL SUB-FRAME (THIS WOULD BE MEASURED INDIVIDUALLY, TAKING THE DISTANCE BETWEEN THE POSTS AND THE HEIGHT OF THE POSTS). ONCE SUB-FRAME HAS BEEN WELDED RIGIDLY, MEASURE OUT THE INSIDE AND NOW YOU WILL NEED TO FIX SUPPORTS AT EVEN INTERVALS WITHIN YOUR FRAME. THIS SUB-FRAME SHOULD BE MADE FROM 38x38mm GALVANIZED STEEL SECTIONS AND MUST BE ERECTED TO A MAXIMUM OF 300mm APART.



- 3 FIXING SUB-FRAME TO YOUR POSTS.** ONCE YOUR SUB-FRAMES ARE CONSTRUCTED, YOU SHOULD START FIXING THEM TO THE POSTS. MAKE SURE THAT THE SUB-FRAME IS FIXED FLUSH TO THE POSTS WHERE THE FASCIA PLANKS WILL BE FASTENED.



- 4 SECURING FASCIA PLANKS.** WHEN THE STEEL SUB-FRAME HAS BEEN RIGIDLY SECURED TO THE POSTS, IT IS TIME TO FASTEN THE FASCIA PLANKS TO THE STEEL BEHIND USING PAN HEAD TECK SCREWS. SCREW THE FISCHER SCREWS THROUGH THE FASCIA PLANKS INTO THE STEEL UNTIL PROPERLY SECURED. ENSURE TO DO THIS THROUGH THE 38x38mm SUB FRAME AS WELL. THESE SCREWS SHOULD BE FASTENED EVERY 300mm TO MAINTAIN A STRONG ENCLOSURE.

- EITHER A 96mm OR A 76mm FASCIA PLANK CAN BE USED, THIS IS UP TO PERSONAL PREFERENCE.

THE DISTANCE BETWEEN PLANKS IS AS PER REQUIREMENT. DISTANCE COULD VARY DUE TO AMOUNT OF VISIBILITY YOU REQUIRE.

